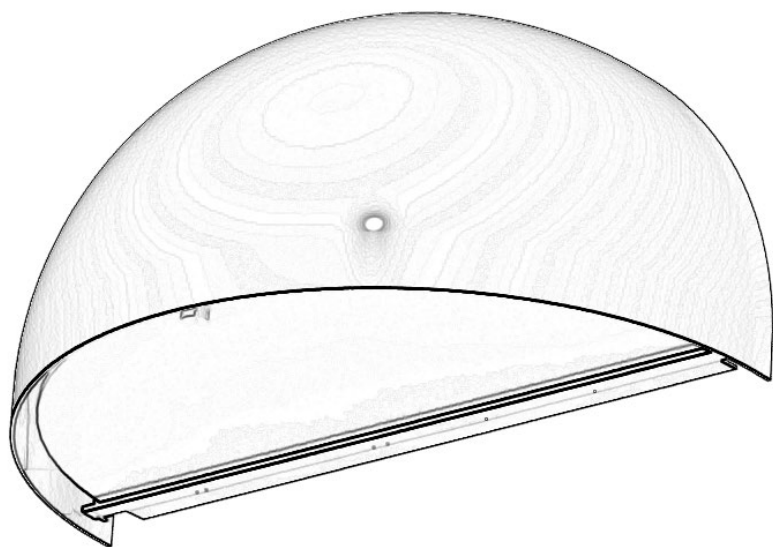
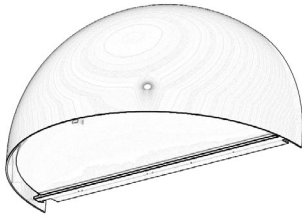


# Rørhat

## Assembly instructions

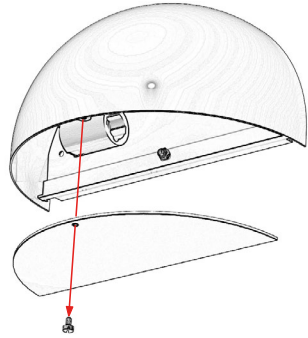


LIGHT·POINT



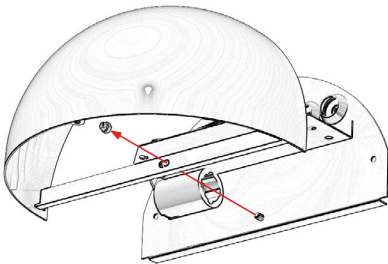
**1**

The lamp comes assembled and has to be disassembled before mounting



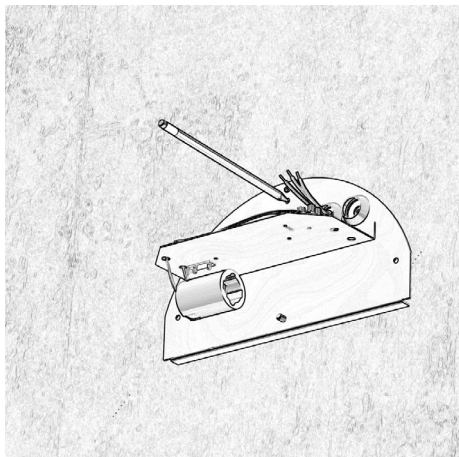
**2**

Remove the acrylic glass



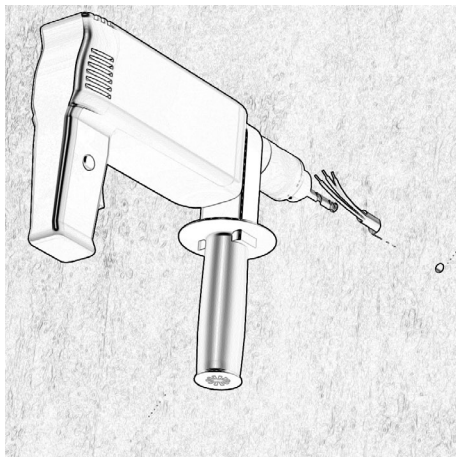
**3**

Remove the lamp shade



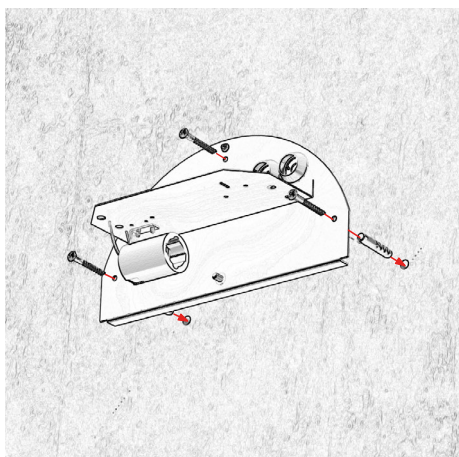
**4**

Use the base of the lamp as a template for drilling



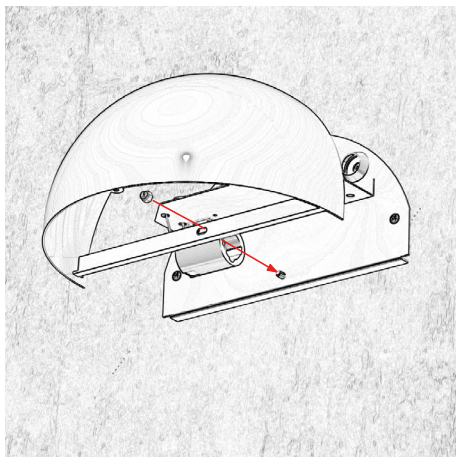
**5**

Drill the three holes



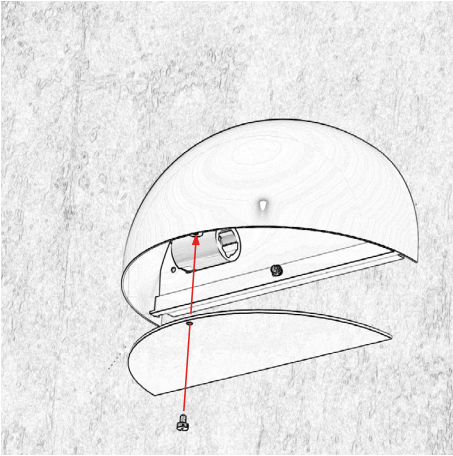
**6**

Mount the base of the lamp and connect it



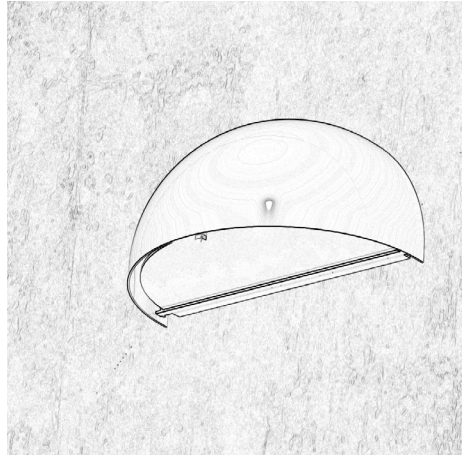
**7**

Mount the lamp shade



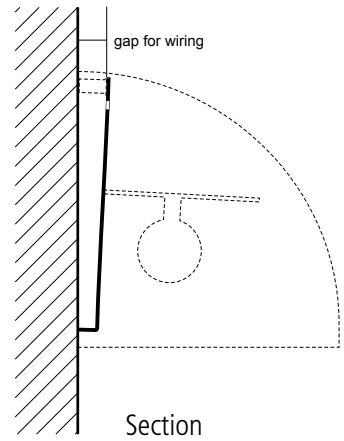
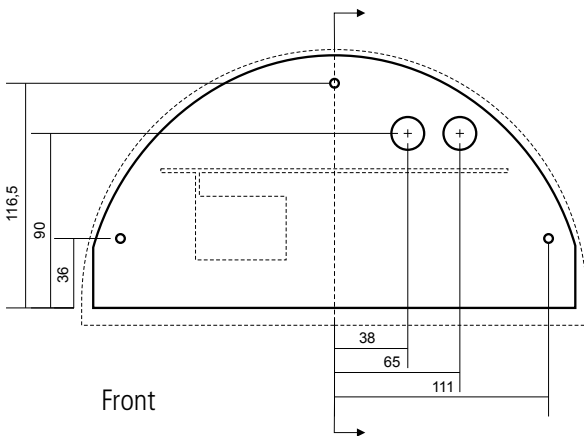
8

Install the light bulb and the acrylic glass



9

Finished



Base measurement drawing

info@light-point.eu  
www.light-point.eu