




LIGHT·POINT

INSTRUCTION MANUAL

INPUT: 220-240V ~ 50/60Hz CLASS II 	IP40  
LAMP-HOUSE: LED-36x0.3W	
MATERIAL: ALUMINIUM	

INSTALLATION INSTRUCTION

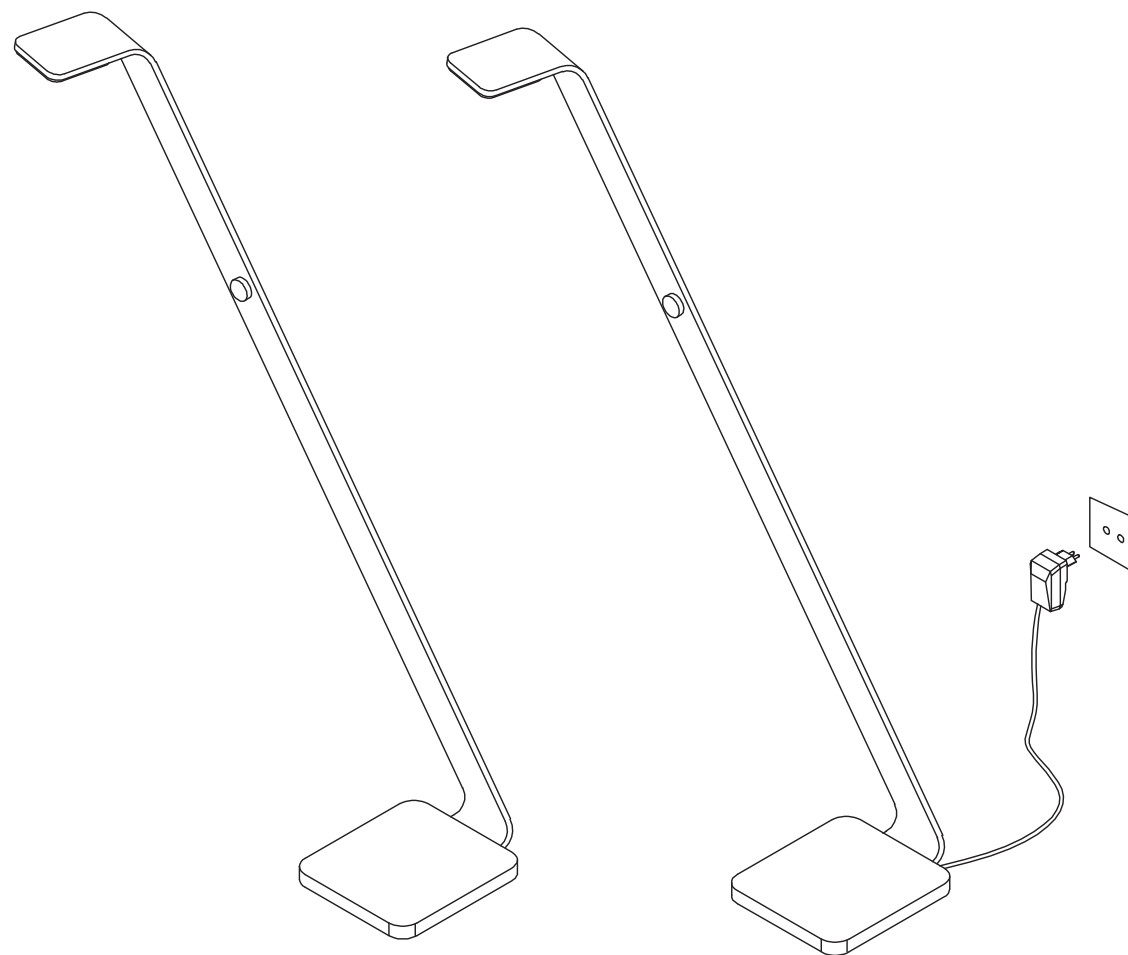
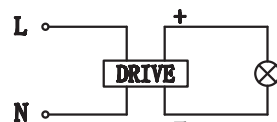
1. Connect the power supply.
2. Touch the switch.

CLEANING INSTRUCTION

1. Before cleaning, ensure that the power supply is switched off.
2. Use only a soft cloth to clean the lamp, dampened with mild cleanser if needed for resistant dirt.
3. Warning: do not use alcohol or other solvents.

CAUTION:

In case of any doubt, please contact the qualified electrician.



281070
281072

NOTE: THIS PRODUCT MUST BE INSTALLED ACCORDING TO LOCAL LAWS AND REGULATIONS!

www.light-point.eu