




LIGHT·POINT

INSTRUCTION MANUAL

INPUT: 220-240V ~ 50/60Hz CLASS II 	IP40  
LAMP-HOUSE: LED-36x0.3W	
MATERIAL: ALUMINIUM	

INSTALLATION INSTRUCTION

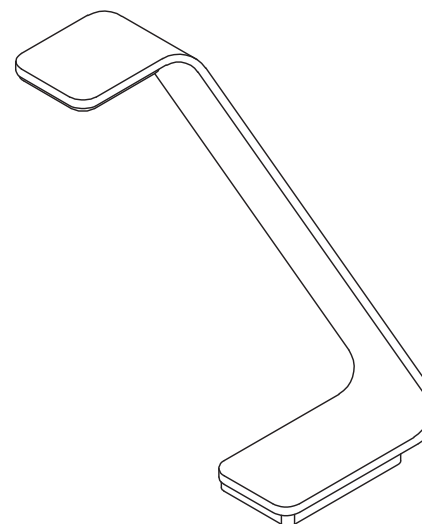
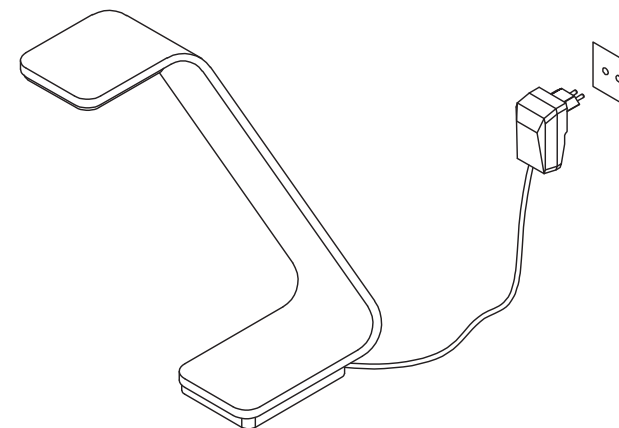
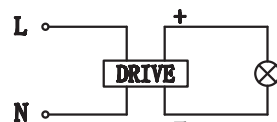
1. Before installing, make sure the power supply is switched off.
2. Simply connect the power supply.
3. Touch the lamp body to make it dimmable.

CLEANING INSTRUCTION

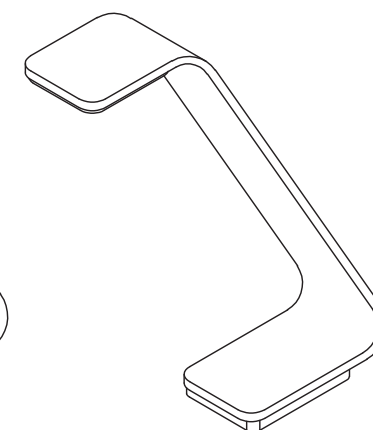
1. Before cleaning, ensure that the power supply is switched off.
2. Use only a soft cloth to clean the lamp, dampened with mild cleanser if needed for resistant dirt.
3. Warning: do not use alcohol or other solvents.

CAUTION:

In case of any doubt, please contact the qualified electrician.



281060
281062



281050
281052

NOTE: THIS PRODUCT MUST BE INSTALLED ACCORDING TO LOCAL LAWS AND REGULATIONS!

www.light-point.eu