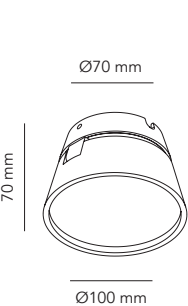




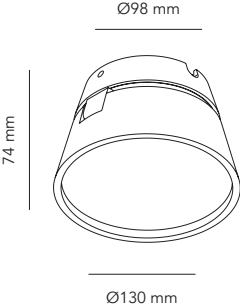
**VANTAGE**

Design: Nital Patel

LED   dimm.   IN DOOR   IP20



**VANTAGE 1**



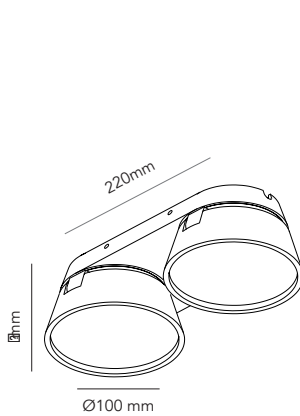
**VANTAGE 1+**



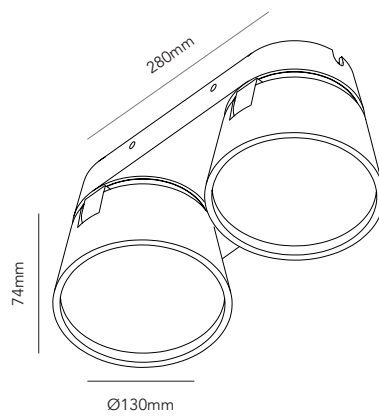


## VANTAGE

Design: Nital Patel



VANTAGE 2



VANTAGE 2+

# VANTAGE - 2700 K

Design: Nital Patel

**LIGHT·POINT**  
C O P E N H A G E N

| ART. NAME               | VANTAGE 2           | VANTAGE 2+          |   |
|-------------------------|---------------------|---------------------|---|
| Art. no. white          | 270820              | 270830              | - |
| Art. no. black          | 270821              | 270831              | - |
| Art. no. rose gold      | 270822              | 270832              | - |
| Art. no. titanium       | 270823              | 270833              | - |
| Art. no. brass          | 270824              | 270834              | - |
| EAN white               | 5711389708207       | 5711389708306       | - |
| EAN black               | 5711389708214       | 5711389708313       | - |
| EAN rose gold           | 5711389708221       | 5711389708320       | - |
| EAN titanium            | 5711389708238       | 5711389708320       | - |
| EAN brass               | 5711389708245       | 5711389708344       | - |
| Material                | Aluminium / Acrylic | Aluminium / Acrylic | - |
| Light source            | Lumems              | Lumems              | - |
| Lifetime                | 50.000              | 50.000              | - |
| Number of light sources | 2                   | 2                   | - |
| Electronical gear       | N/A                 | N/A                 | - |
| Driver watt             | N/A                 | N/A                 | - |
| Light source watt       | 8                   | 15                  | - |
| System watt             | 16                  | 30                  | - |
| Voltage                 | 220-240V            | 220-240V            | - |
| Dimmable                | TRAIC               | TRAIC               | - |
| Lumen output            | 1440 (Nominal)      | 2700 (Nominal)      | - |
| Lumen pr. watt          | 90                  | 90                  | - |
| Flux                    | N/A                 | N/A                 | - |
| CCT (K)                 | 2700                | 2700                | - |
| RA/CRI                  | >90                 | >90                 | - |
| Mac Adam                | 3                   | 3                   | - |
| Light distribution      | N/A                 | N/A                 | - |
| Beam angle              | N/A                 | N/A                 | - |
| Tilt angle              | 90                  | 90                  | - |
| Cutout mm.              | N/A                 | N/A                 | - |
| Rotation                | 350                 | 350                 | - |
| Looping                 | Yes                 | Yes                 | - |