

# LIGHT·POINT

## INSTRUCTION MANUAL

SLIM S1200	Code 280280-280281
SLIM S1500	Code 280283-280284
SLIM S1800	Code 280286-280287
INPUT: 220-240V ~ 50/60Hz CLASS I	⊕
LAMP-HOUSE: LED-AC30W/AC34W/AC36W	
MATERIAL: ALUMINIUM	



### INSTALLATION INSTRUCTIONS

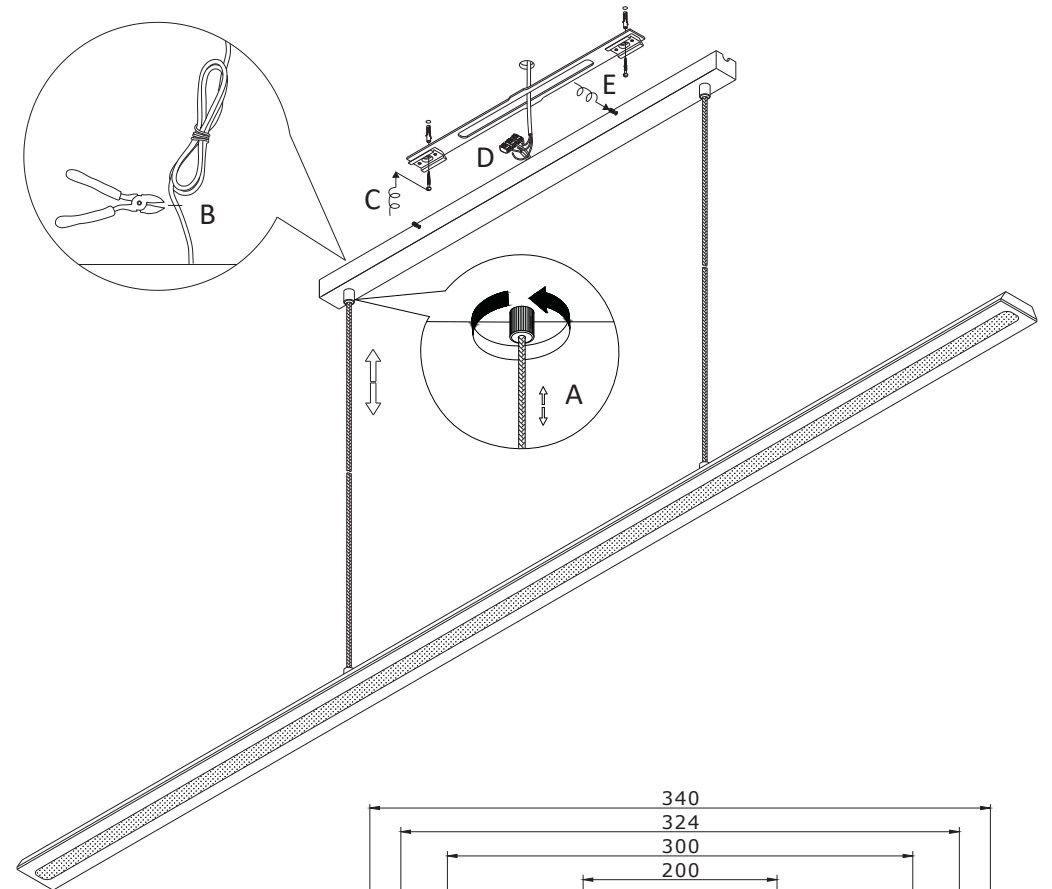
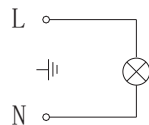
1. Before installing, make sure the power supply is switched off.
2. Follow the steps as per the figure for installation.
  - a. Loosen the cable fastener and adjust the cable to the length you need. Then tighten the cable fastener.
  - b. If there is still cable left in the base, cut it and reconnect as it was before.
  - c. Fix the mounting bracket onto the ceiling with screws.
  - d. Cut off excess wire from ceiling and connect the remaining wires to the terminal block.
  - e. Fix the fixture to the mounting bracket with screws.
3. After finishing every step, tighten the screws, make sure the fixture is fixed, and then connect the power supply.

### CLEANING INSTRUCTIONS

1. Before cleaning, ensure that the power supply is switched off.
2. Use only a soft cloth to clean the lamp, dampened with mild cleaning agent if needed for resistant dirt.
3. Warning: do not use alcohol or other solvents.

### CAUTION:

In case of any doubts, please contact a qualified electrician.



**NOTE: THIS PRODUCT MUST BE INSTALLED ACCORDING TO LOCAL LAWS AND REGULATIONS!**

[www.light-point.eu](http://www.light-point.eu)