

LIGHT·POINT

INSTRUCTION MANUAL

ORBIT GARDEN 1
Code 268301
ORBIT GARDEN 2
Code 268302

INPUT: 220-240V ~ 50/60Hz CLASS I

LAMP-HOUSE: LED-10W/15W

MATERIAL: ALUMINIUM

IP54 F CE

INSTALLATION INSTRUCTION

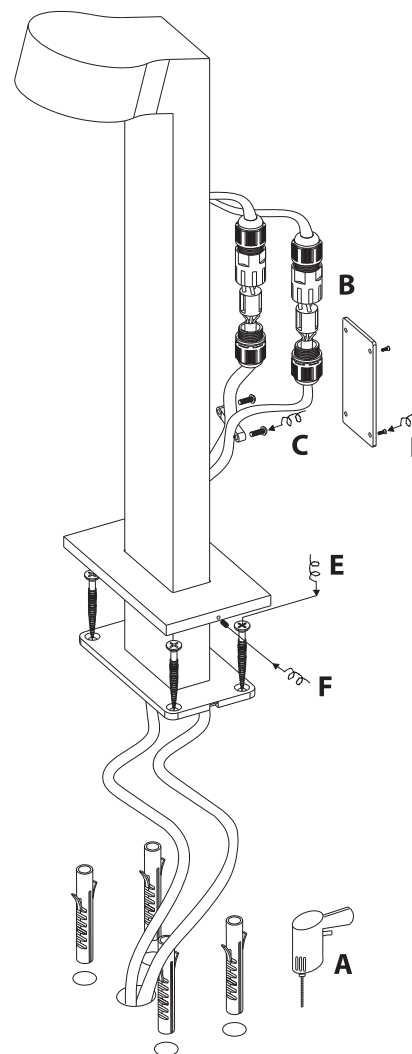
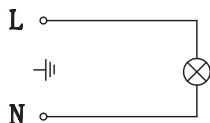
1. Before installing, make sure the power supply is switched off.
2. Follow the steps as the figure for installation.
 - A.drilling and pull out the wires
 - B.connect the wires.
 - C.fix the wires to the lampbody with cable clasp.
 - D.fix the bracket to the lampbody with screws.
 - E.fix the lampbody to the ground.
 - F.fix the decorative plate to the lampbody with screws.
3. After finishing every step, tighten the screws, have the fixture fixed, and then connect the power supply.

CLEANING INSTRUCTION

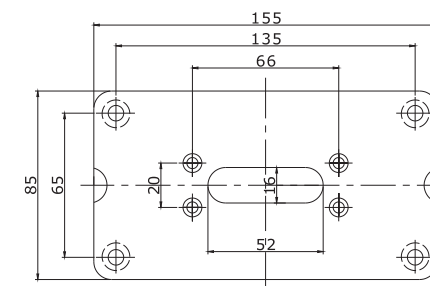
1. Before cleaning, ensure that the power supply is switched off.
2. Use only a soft cloth to clean the lamp, dampened with mild cleanser if needed for resistant dirt.
3. Warning: do not use alcohol or other solvents

CAUTION:

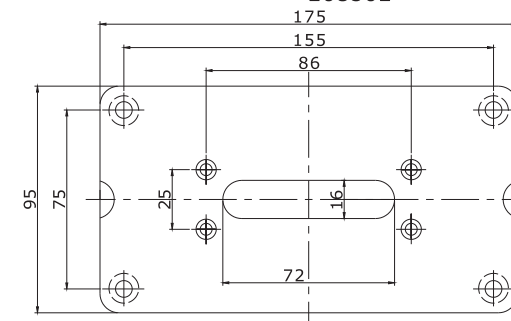
In case of any doubt, please contact the qualified electrician.



ORBIT GARDEN 1
268301



ORBIT GARDEN 2
268302



LIGHT·POINT

MONTAGEANLEITUNG

NOTE:Für Rückfragen und weitere Informationen stehen wir jederzeit gerne zur Verfügung!

www.light-point.eu