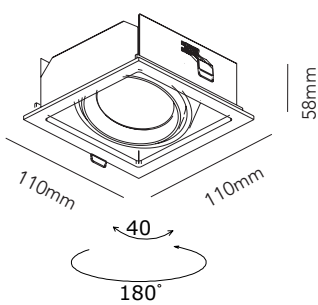


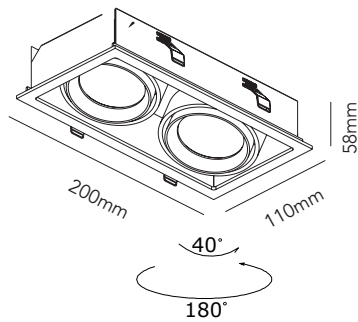


## GHOST

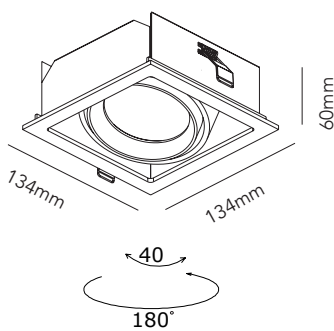
Design: Ronni Gol



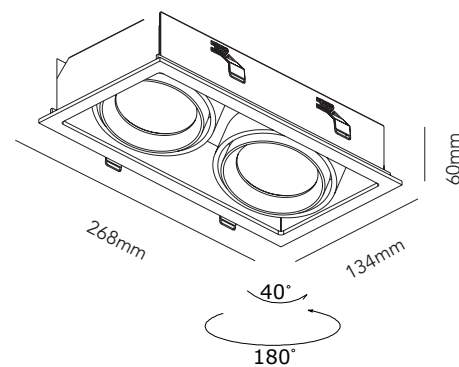
GHOST 1



GHOST 2



GHOST 1+



GHOST 2+

# GHOST - 3000 K / 2700 K\*

Design: Ronni Gol

**LIGHT·POINT**  
C O P E N H A G E N

| ART. NAME               | GHOST 1               | GHOST 2               |   |
|-------------------------|-----------------------|-----------------------|---|
| Art. no. white          | 259070                | 259074                | - |
| Art. no. black          | 259071                | 259075                | - |
| Art. no. rose gold*     | 270800                | 270801                | - |
| EAN white               | 5711389590703         | 5711389590741         | - |
| EAN black               | 5711389590710         | 5711389590758         | - |
| EAN rose gold*          | 5711389708009         | 5711389708016         | - |
| Material                | Iron / Acrylic        | Iron / Acrylic        | - |
| Light source            | Lumens                | Lumens                | - |
| Lifetime                | 50.000                | 50.000                | - |
| Number of light sources | 1                     | 2                     | - |
| Electronical gear       | N/A                   | N/A                   | - |
| Driver watt             | N/A                   | N/A                   | - |
| Light source watt       | 6                     | 2 x 6                 | - |
| System watt             | 6                     | 12                    | - |
| Voltage                 | 220-240V              | 220-240V              | - |
| Dimmable                | Leading/trailing Edge | Leading/trailing Edge | - |
| Lumen output            | 540lm                 | 1080lm                | - |
| Lumen pr. watt          | 90                    | 90                    | - |
| Flux                    | N/A                   | N/A                   | - |
| CCT (K)                 | 3000 / 2700*          | 3000 / 2700*          | - |
| RA/CRI                  | >90                   | >90                   | - |
| Mac Adam                | 3                     | 3                     | - |
| Light distribution      | N/A                   | N/A                   | - |
| Beam angle              | 30                    | 30                    | - |
| Tilt angle              | 8                     | 8                     | - |
| Cutout mm.              | 100 x 100             | 100 x 185             | - |
| Rotation                | 180                   | 180                   | - |
| Looping                 | Yes                   | Yes                   | - |

\*Rose Gold 2700 K. Black / White 3000 K

Updated 20th of April 2021

# GHOST - 3000 K / 2700 K\*

Design: Ronni Gol

**LIGHT·POINT**  
C O P E N H A G E N

| ART. NAME               | GHOST 1+              | GHOST 2+              |   |
|-------------------------|-----------------------|-----------------------|---|
| Art. no. white          | 259078                | 259081                | - |
| Art. no. black          | 259079                | 259082                | - |
| Art. no. rose gold*     | 270810                | 270811                | - |
| EAN white               | 5711389590789         | 5711389590819         | - |
| EAN black               | 5711389590796         | 5711389590826         | - |
| EAN rose gold*          | 5711389708108         | 5711389708115         | - |
| Material                | Aluminium             | Aluminium             | - |
| Light source            | Lumens                |                       | - |
| Lifetime                | 50.000                | 50.000                | - |
| Number of light sources | 1                     | 2                     | - |
| Electronical gear       | N/A                   | N/A                   | - |
| Driver watt             | N/A                   | N/A                   | - |
| Light source watt       | 10                    | 2 x 10                | - |
| System watt             | 10                    | 20                    | - |
| Voltage                 | 220-240V              | 220-240V              | - |
| Dimmable                | Leading/trailing Edge | Leading/trailing Edge | - |
| Lumen output            | 900lm                 | 1800lm                | - |
| Lumen pr. watt          | 90                    | 90                    | - |
| Flux                    | N/A                   | N/A                   | - |
| CCT (K)                 | 3000 K / 2700*        | 3000 K / 2700*        | - |
| RA/CRI                  | >90                   | >90                   | - |
| Mac Adam                | 3                     | 3                     | - |
| Light distribution      | N/A                   | N/As                  | - |
| Beam angle              | 30                    | 30                    | - |
| Tilt angle              | 8                     | 8                     | - |
| Cutout mm.              | 122 x 122             | 122 x 235             | - |
| Rotation                | 180                   | 180                   | - |
| Looping                 | Yes                   | Yes                   | - |

\*Rose Gold 2700 K. Black / White 3000 K

Updated 20th of April 2021