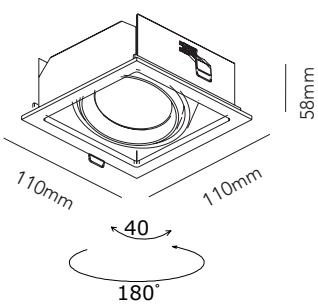


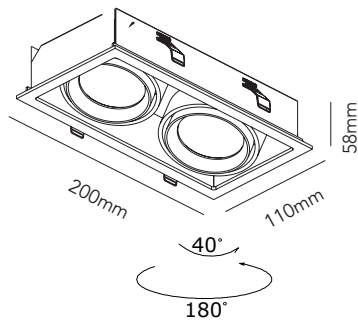


## GHOST

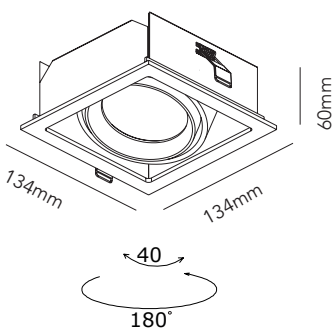
Design: Ronni Gol



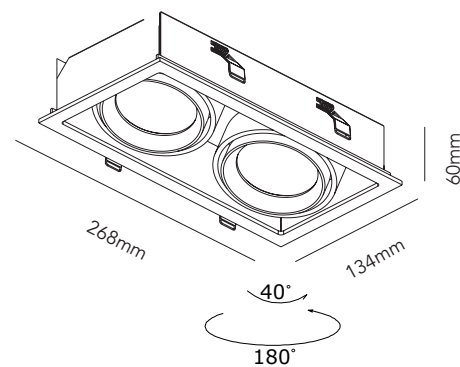
GHOST 1



GHOST 2



GHOST 1+



GHOST 2+

# GHOST - 2700K

Design: Ronni Gol

**LIGHT·POINT**  
C O P E N H A G E N

ART. NAME	GHOST 1	GHOST 2	
Art. no. rose gold	270800	270801	-
Art. no. titanium	270802	270803	-
EAN rose gold	5711389708009	5711389708016	-
EAN titanium	5711389708023	5711389708030	-
Material	Iron / Acrylic	Iron / Acrylic	-
Light source	Lumens	Lumens	-
Lifetime	50.000	50.000	-
Number of light sources	1	2	-
Electronical gear	N/A	N/A	-
Driver watt	N/A	N/A	-
Light source watt	6	2 x 6	-
System watt	6	12	-
Voltage	220-240V	220-240V	-
Dimmable	Leading/trailing Edge	Leading/trailing Edge	-
Lumen output	540lm	1080lm	-
Lumen pr. watt	90	90	-
Flux	N/A	N/A	-
CCT (K)	3000 / 2700*	3000 / 2700*	-
RA/CRI	>90	>90	-
Mac Adam	3	3	-
Light distribution	N/A	N/A	-
Beam angle	30	30	-
Tilt angle	8	8	-
Cutout mm.	100 x 100	100 x 185	-
Rotation	180	180	-
Looping	Yes	Yes	-

Updated 20th of April 2021

# GHOST - 2700K

Design: Ronni Gol

**LIGHT·POINT**  
C O P E N H A G E N

ART. NAME	GHOST 1+	GHOST 2+	
Art. no. rose gold	270810	270811	-
Art. no. titanium	270812	270813	
EAN rose gold	5711389708108	5711389708115	
EAN titanium	5711389708122	5711389708139	-
Material	Aluminium	Aluminium	-
Light source	Lumens	Lumens	-
Lifetime	50.000	50.000	-
Number of light sources	1	2	-
Electronical gear	N/A	N/A	-
Driver watt	N/A	N/A	-
Light source watt	10	2 x 10	-
System watt	10	20	-
Voltage	220-240V	220-240V	-
Dimmable	Leading/trailing Edge	Leading/trailing Edge	-
Lumen output	900lm	1800lm	-
Lumen pr. watt	90	90	-
Flux	N/A	N/A	-
CCT (K)	3000 K / 2700*	3000 K / 2700*	-
RA/CRI	>90	>90	-
Mac Adam	3	3	-
Light distribution	N/A	N/As	-
Beam angle	30	30	-
Tilt angle	8	8	-
Cutout mm.	122 x 122	122 x 235	-
Rotation	180	180	-
Looping	Yes	Yes	-

Updated 20th of April 2021