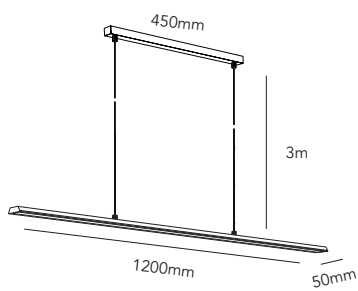
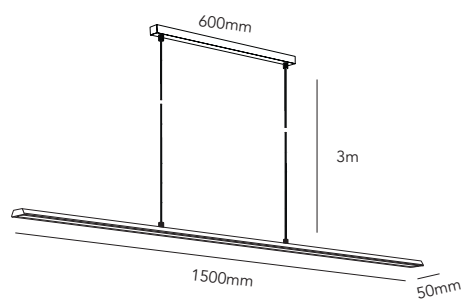


SLIM

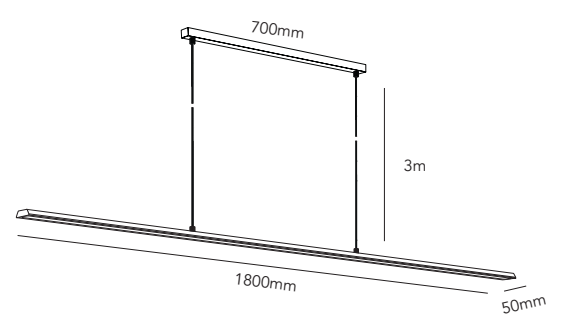
Design: Ronni Gol



SLIM S1200



SLIM S1500



SLIM S1800

SLIM - 3000 K

Design: Ronni Gol

LIGHT·POINT
C O P E N H A G E N

ART. NAME	SLIM S1200	SLIM S1500	SLIM S1800
Art. no. white	280280	280283	280286
Art. no. black	280281	280284	280287
EAN white	5711389802806	5711389802837	5711389802844
EAN black	5711389802813	5711389802844	5711389802875
Material	Aluminium / Acrylic	Aluminium / Acrylic	Aluminium / Acrylic
Light source	Edison	Edison	Edison
Lifetime	50.000	50.000	50.000
Number of light sources	1	1	1
Electronical gear	N/A	N/A	N/A
Driver watt	N/A	N/A	N/A
Light source watt	30	34	36
System watt	30	34	36
Voltage	220-240V	220-240V	220-240V
Dimmable	Leading/trailing Edge	Leading/trailing Edge	Leading/trailing Edge
Lumen output	1830	2140	2450
Lumen pr. watt	90	90	90
Flux	N/A	N/A	N/A
CCT (K)	3000	3000	3000
RA/CRI	≥90	≥90	≥90
Mac Adam	6	6	6
Light distribution	N/A	N/A	N/A
Beaming angle	N/A	N/A	N/A
Tilt angle	N/A	N/A	N/A
Cut out mm.	N/A	N/A	N/A
Rotation	N/A	N/A	N/A
Looping	No	No	No

SLIM - 2700 K

Design: Ronni Gol

LIGHT·POINT
C O P E N H A G E N

ART. NAME	SLIM S1200	SLIM S1500	SLIM S1800
Art. no. white	270110	270120	270130
Art. no. black	270111	270121	270131
EAN white	5711389701109	5711389701208	5711389701307
EAN black	5711389701116	5711389701215	5711389701314
Material	Aluminium / Acrylic	Aluminium / Acrylic	Aluminium / Acrylic
Light source	Edison	Edison	Edison
Lifetime	50.000	50.000	50.000
Number of light sources	1	1	1
Electronical gear	N/A	N/A	N/A
Driver watt	N/A	N/A	N/A
Light source watt	30	34	36
System watt	30	34	36
Voltage	220-240V	220-240V	220-240V
Dimmable	Leading/trailing Edge	Leading/trailing Edge	Leading/trailing Edge
Lumen output	1702	1990	2279
Lumen pr. watt	90	90	90
Flux	N/A	N/A	N/A
CCT (K)	2700	2700	2700
RA/CRI	>90	>90	>90
Mac Adam	6	6	6
Light distribution	N/A	N/A	N/A
Beaming angle	N/A	N/A	N/A
Tilt angle	N/A	N/A	N/A
Cut out mm.	N/A	N/A	N/A
Rotation	N/A	N/A	N/A
Looping	N/A	N/A	N/A