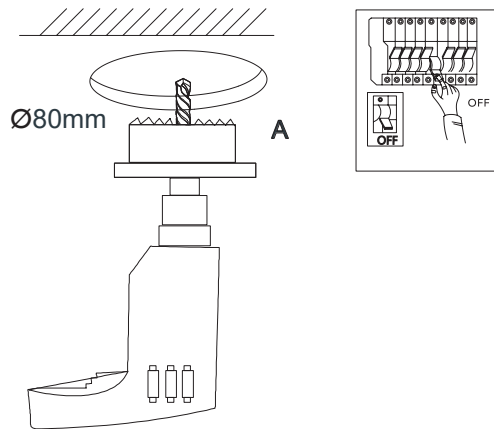


Installation instructions

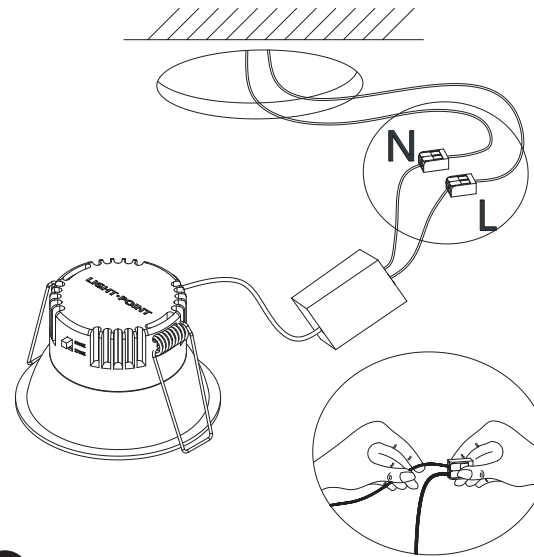
NOTE: The ceiling/lamp base can be used as installation box.



1

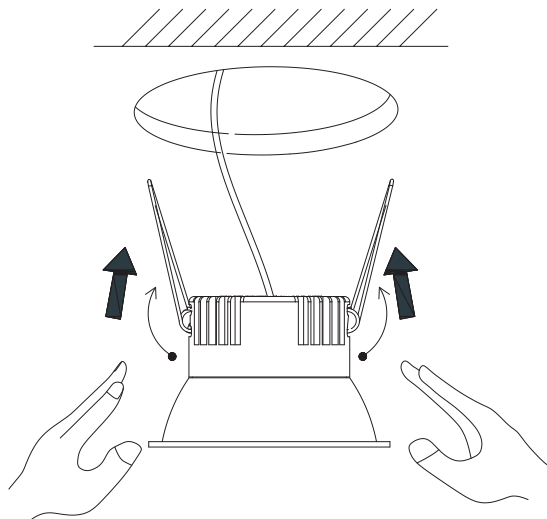
NOTE: Please make sure the power supply is turned off before installing the lamp.

A: Drill an Ø80mm hole at the desired mounting position.



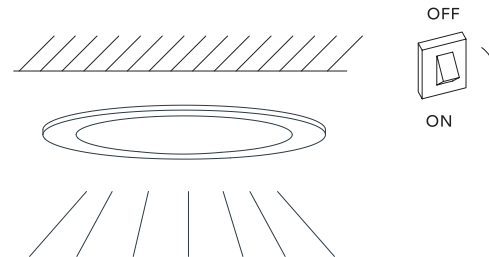
2

B: Connect the cables from both the lamp and the mains power into the terminal as illustrated above.



3

C: Pull the spring clips upwards and position the lamp into the hole. Slowly release the clips as the downlight is securely positioned.



4

D: Installation is complete

General use

- The product is designed for indoor use only.
- The lamp gets hot after prolonged use, therefore, do not cover the product.

Cleaning instructions

- Wipe surface of lamp shade with a soft cloth
- Do not use any abrasive cleaning tools such as steel wool, scouring sponges or stiff brushes.
- Never use strong cleaning agents such as white spirit, household glass cleaner or cellulose thinners.

Safety precautions

- The appliance should be installed, connected and tested by qualified electrician and in accordance with local regulations.
- Turn off the power supply before installation or maintenance of the lamp, and make sure that the cables are not squeezed or damaged by sharp edges during installation.
- The lamp should not be covered by insulation blankets or similar materials.

International warranty

Your product has gone through rigorous testing in order to live up to the highest quality standards. It therefore carries a 7-year warranty from the date of the original retail purchase receipt, covering defects in materials and workmanship when used normally in accordance with the published LIGHT-POINT guidelines.

These guidelines include but are not limited to information contained in technical specifications, safety instructions and quick start guides. LIGHT-POINT is not responsible for damage arising from failure to follow instructions relating to the use of the product.

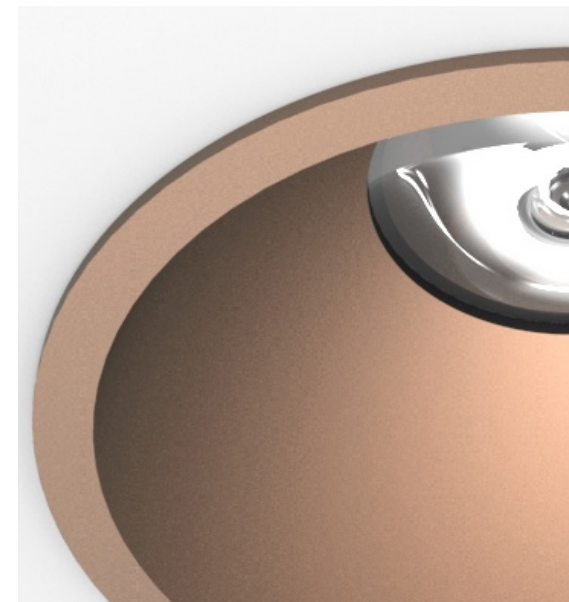
LIGHT-POINT is a registered trademark of NORDIC LIVING GROUP.

For more information, please visit
LIGHT-POINT.COM



CURVE Collection

A downlight design realized without aesthetic distraction, the new Curve series perfectly embodies LIGHT-POINT's design language, combining clean lines with technical precision.



CURVE II Ø90

User Instructions



The deep LED light source is combined with an optic glass that is completely out of peripheral vision, making it a comforting glare-free spot light.